

- Three Phase 100A Direct Fed
- MID B+D Certified
- Accuracy Class 1 (Active Energy)
- Bi-directional Measurement
- Pulse output
- RS485 Modbus
- Active Energy and Power Measurement
- Resettable energy counter



The SDM72D-M is digital 3 phase 4 wires energy meter with white back-lighted LCD screen for perfect reading. The unit measures and displays voltage, current, frequency, power factor, active power, reactive power, active energy and reactive energy, etc. A resettable partial energy is provided, so the user can easily check the active energy imported and active energy exported during a certain period. SDM72D-M supports max. 100A direct connection, saving the cost and avoiding the trouble to connect external Cts, giving the unit a cost-effective and east operation. Built-in interfaces provide pulse and RS485 Modbus RTU outputs. Configuration is password protected.

Certified in the UK according to EU Directive 2014/32/EU.
MID Certificate number 0120/SGS0213

Specification table

Specification	
Model	SDM72D-M
Nominal voltage(Un)	3x230/400 V ac
Operational voltage	80%~120% of Un
Insulation capabilities	
-AC voltage withstand	4KV for 1 minute
-Impulse voltage withstand	6KV~1.2 μ s
Basic current(Ib)	10A
Maximum rated current(I _{max})	100A
Operational current range	0.4% Ib-I _{max}
Over current withstand	30 I _{max} for 0.01s
Operational frequency range	50 or 60Hz
Internal power consumption	≤2W/10VA
Pulse output	configurable
Display	LCD
Max reading	99999.9kWh

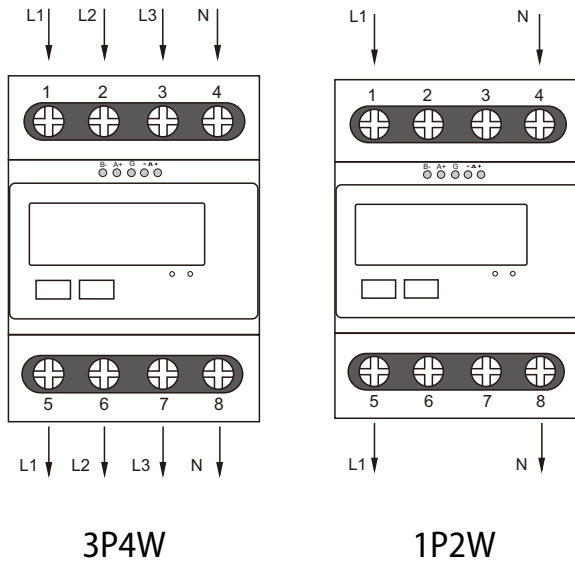
Performance criteria	
Operating humidity	≤90%
Storage humidity	≤95%
Operating temperature	-25°C~+55°C
Storage temperature	-40°C~+70°C
Reference temperature	23°C±2°C
International standard	IEC 62053-21/ EN50470-1/3

Accuracy class	Class 1/Class B
Installation category	CAT II
Mechanical environment	M1
Electromagnetic environment	E2
Degree of pollution	2
Protection against penetration of dust and water	IP51 (indoor)
Insulation encased meter of protective class	II
Electrostatic discharges	8kV contact / 15kV air gap
Electromagnetic HF fields	IEC 6100-4-3
Electrical fast transients	4kV
Surge	4kV
Radiated & conducted emissions	EN55022
Radiated & conducted emissions	EN55022

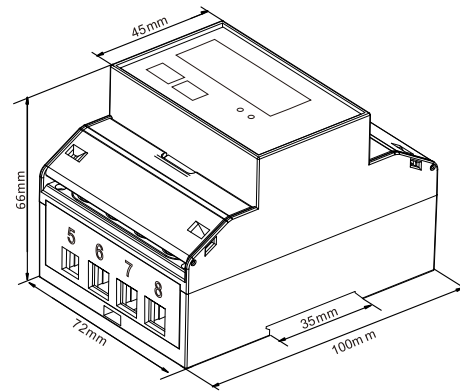
Modbus	
Bus type	RS485(semi-duplex)
Protocol	Modbus RTU
Baud rate	1200/2400/4800/9600/19200bps
Address range	1-247
Max. Bus loading	64pcs
Communication distance	1000M
Parity	EVEN/ODD/NONE
Data bit	8
Stop bit	1

For more information on these products, please contact our sales team on 86-0573-83698881 or email sales@eastrongroup.com
www.eastrongroup.com

Wiring Configuration



Dimension Drawing



Height 100mm
Width 72mm
Depth 66mm

Ordering options

Meter Type	Description of Meter
SDM72D-M-1	2P3W, 3P4W, Measures active energy & power Bi-directional measurement IMP&EXP Resettable partial energy Pulse output RS485 Modbus RTU Max. 100A direct connection, Accuracy better then class 1/B
SDM72D-M-2	2P3W, 3P4W, Measures kW,kVArh, W, VAr, VA, V, A, PF, Hz, Pulse output RS485 Modbus RTU Max. 100A direct connection, Accuracy better then class 1/B

Conformity References

Electromagnetic Compatibility: EN61326-1:2013 & EN61326-2-3:2013

Low Voltage Directive: EN61010-1-2010 & EN61010-2-30-2010

MID DIRECTIVE: 2014/32/EU

For more information on these products, please contact our sales team on 86-0573-83698881 or email sales@eastrongroup.com
www.eastrongroup.com